

Designed and manufactured by Williams-Pyro, Inc., Fort Worth, TX, USA.

© 2011. Williams-Pyro, Inc. All rights reserved.

Williams-Pyro, StoveTop FireStop, and the StoveTop FireStop logo are either registered trademarks or trademarks of Williams-Pyro Incorporated in the United States and/or other countries.

Model No. 677-1/2. Under U.S. Patents 5,518,075; 7,472,758; 7,610,966; etal/Foreign Patent 1,334,741.

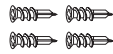
Installation Instructions

Parts Included

A Main unit [x2]



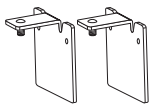
C Drywall anchor [x4]



E Wing nut [x2]



B Wall bracket [x2]



D #8 Drywall screw [x4]

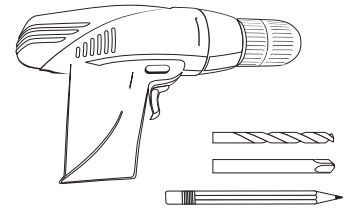


F Adhesive pad [x2]



For installation on stainless steel only

What You Need

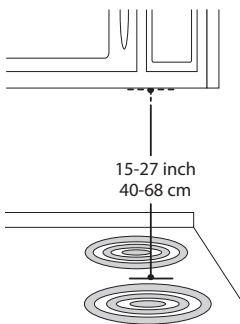


Drill, pencil; 1/8" drill bit; #2 phillips screwdriver or driver bit

If missing any parts, contact your supplier. For residential kitchens only. Not drawn to scale.



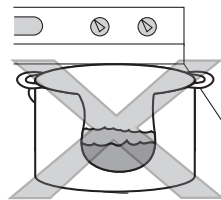
Warning



15-27 inch
40-68 cm

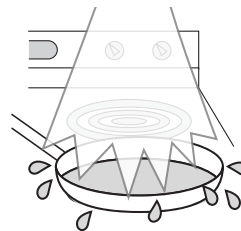
There must be 15-27" (40-68 cm) of clearance between the surface of your cooktop and the bottom of the microwave.

NOT FOR DEEP FAT FRYING



Not intended for use with deep fat frying.

GREASE FIRES MAY SPLASH



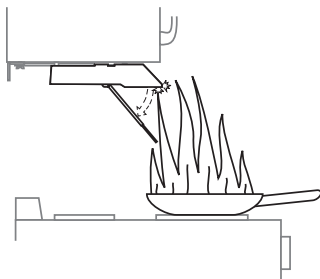
When activated, falling powder may cause grease fires to splash.

TURN OFF STOVE (if it is safe to do so)

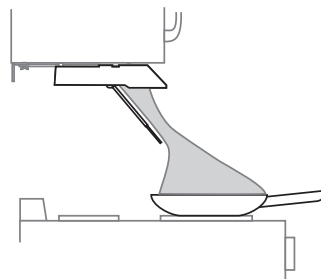


If the heat source is not shut off after discharge, the fire may re-ignite.

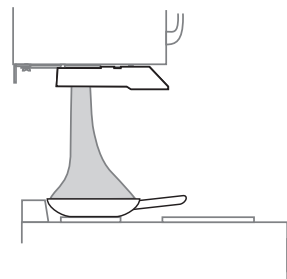
How It Works



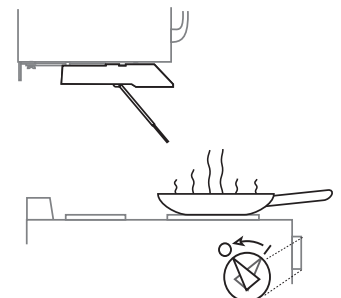
Flame from a front burner touches the front of the device to open the ramp.



The actuator opens the petals of the front canister. Powder drops out of the canister and suppresses the fire.

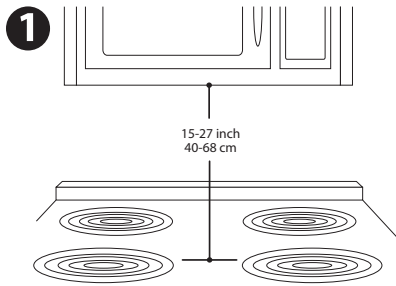


Flame from a rear burner releases the powder from the rear canister.

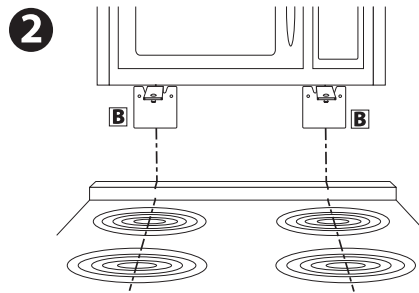


If it is safe to do so, the heat source must be turned off to prevent the fire from re-igniting.

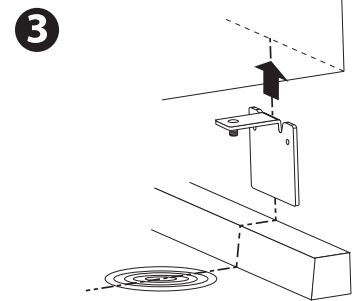
Installation Instructions if Backsplash is DRYWALL



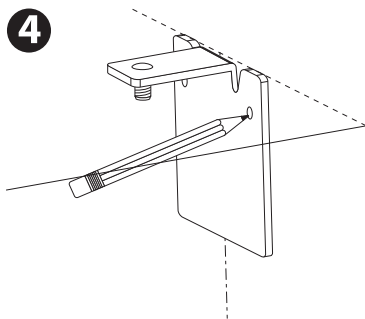
1 Confirm you have 15-27" (40-68 cm) of clearance between the surface of your cooktop and the bottom of the microwave.



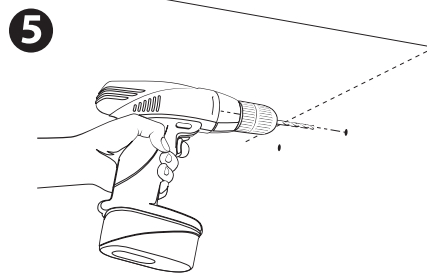
2 Align wall bracket [B] with center line of burners.



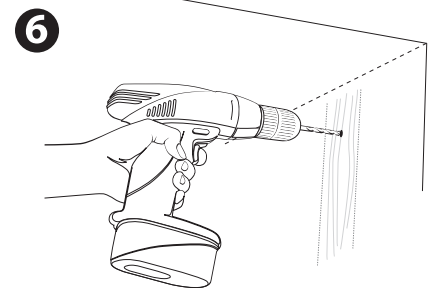
3 Slide wall bracket up to touch bottom of microwave.



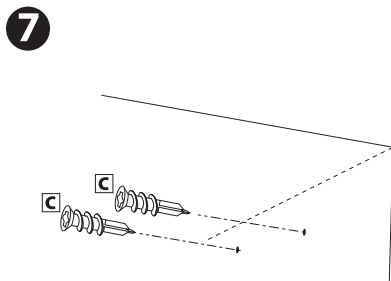
4 Mark location of bracket holes with a pencil.



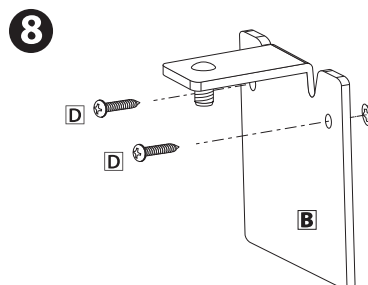
5 Drill 1/8" pilot holes in the marked locations.



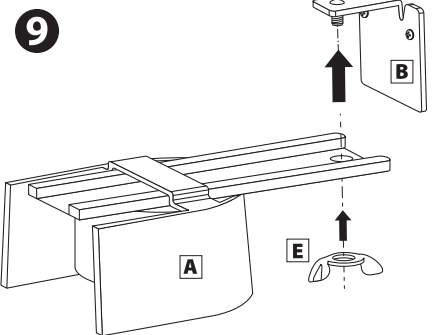
6 If you hit a wooden stud behind the drywall, use a #8 x 1.5" (4 cm) wood screw (not included). Go to step 8.



7 Install anchors [C] in the pilot holes. (Use in drywall only.)

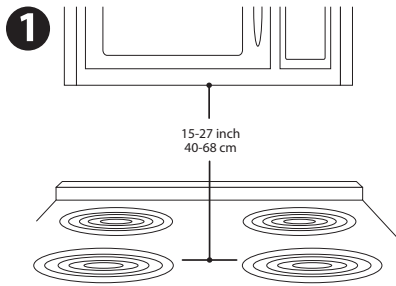


8 Align bracket [B] and attach with screws [D].

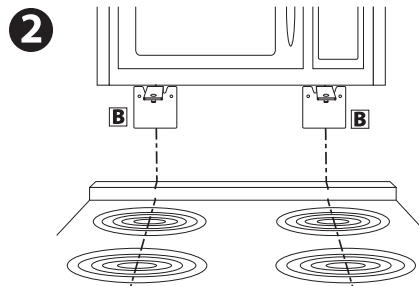


9 Secure main unit [A] to wall bracket [B] with wing nut [E]. Do not overtighten. Installation is complete.

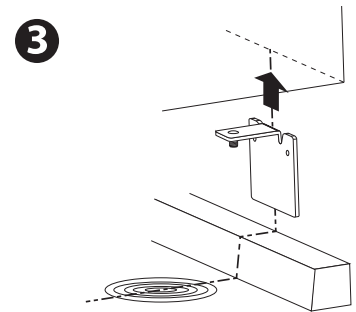
Installation Instructions if Backsplash is TILE or MASONRY



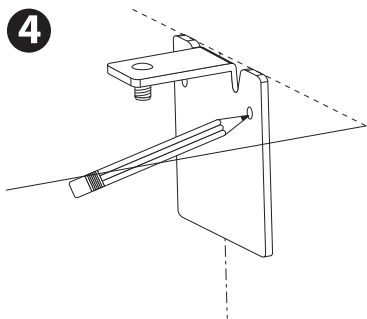
1 Confirm you have 15-27" (40-68 cm) of clearance between the surface of your cooktop and the bottom of the microwave.



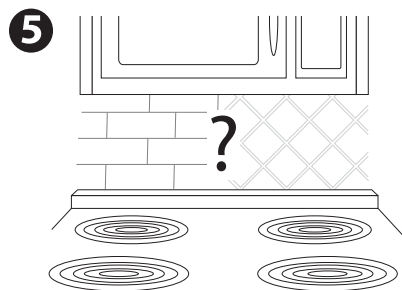
2 Align wall bracket [B] with center line of burners.



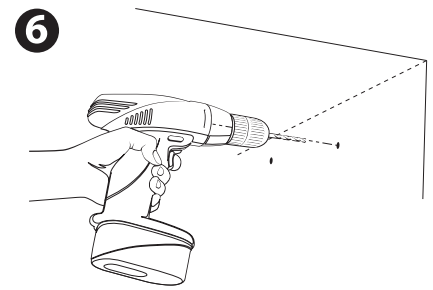
3 Slide wall bracket up to touch bottom of microwave.



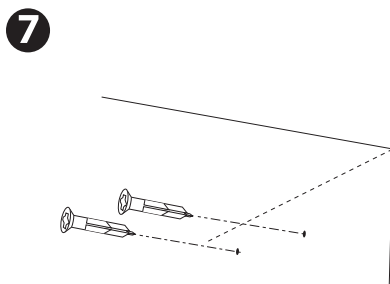
4 Mark location of bracket holes with a pencil.



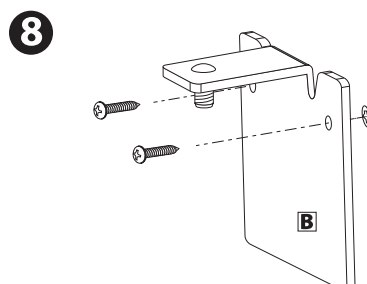
5 Determine the correct anchors, screws, and drill bit (not included) for your backsplash material.



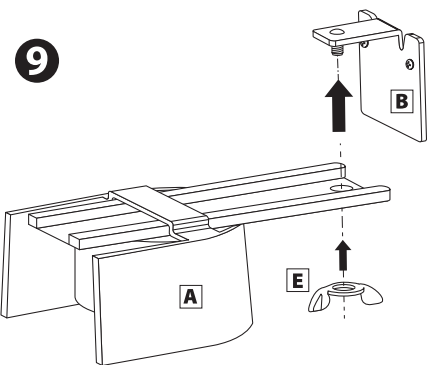
6 Drill correct size pilot holes in the marked locations.



7 Install specialty anchors (not included) in the pilot holes.

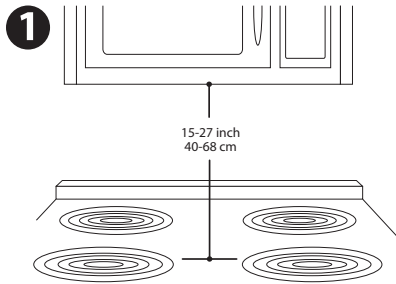


8 Align bracket [B] with the pilot holes and attach with screws (not included).

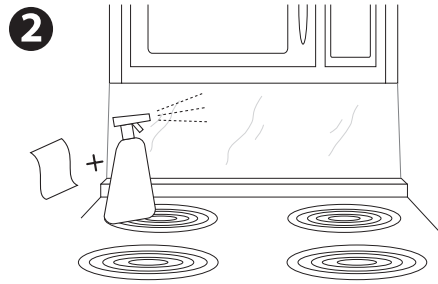


9 Secure main unit [A] to wall bracket [B] with wing nut [E]. Do not overtighten. Installation is complete.

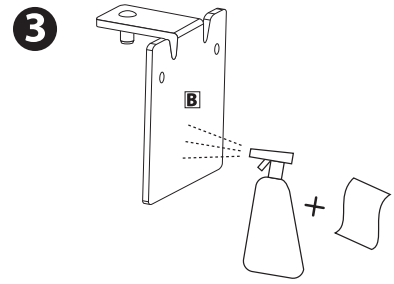
Installation Instructions if Backsplash is STAINLESS STEEL



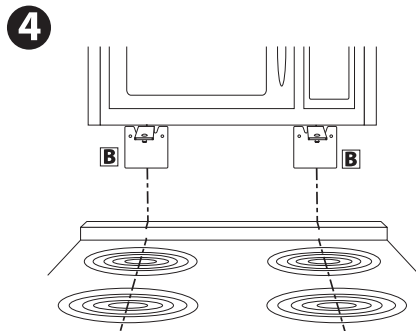
1 Confirm you have 15-27" (40-68 cm) of clearance between the surface of your cooktop and the bottom of the microwave.



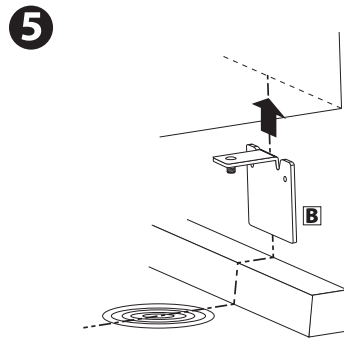
2 Clean and dry surface of the backsplash. Surface must be completely dry and free from grease.



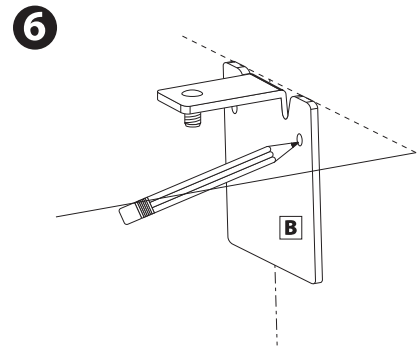
3 Clean and dry surfaces of the brackets.



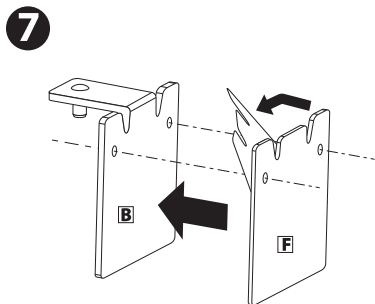
4 Align wall bracket [B] with center line of burners.



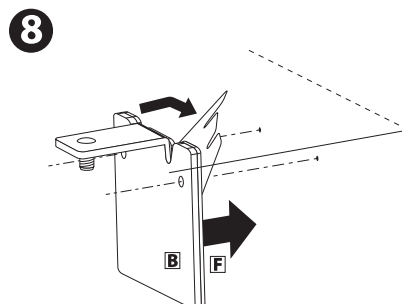
5 Slide wall bracket up to touch bottom of microwave.



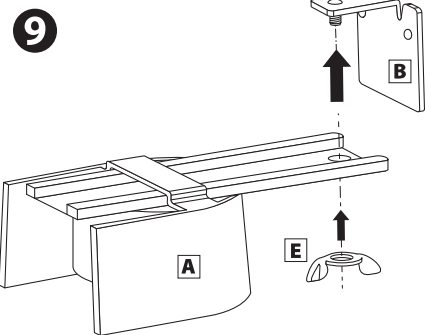
6 Mark location of bracket holes with a pencil.



7 Remove backing from adhesive pad. Align holes and press pad onto bracket.



8 Remove backing from other side of adhesive pad. Align holes to pencil marks. Press and hold wall bracket firmly against backsplash for 30 seconds.



9 Secure main unit [A] to wall bracket [B] with wing nut [E]. Do not over-tighten. Installation is complete.



Wait 15 minutes.